



TRANSFRIG

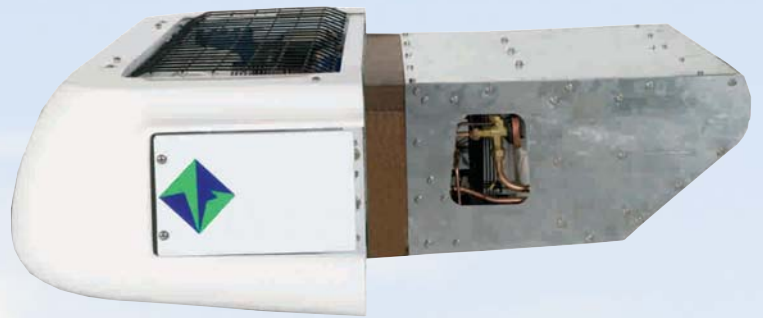
Koolvan

560/660

760/860

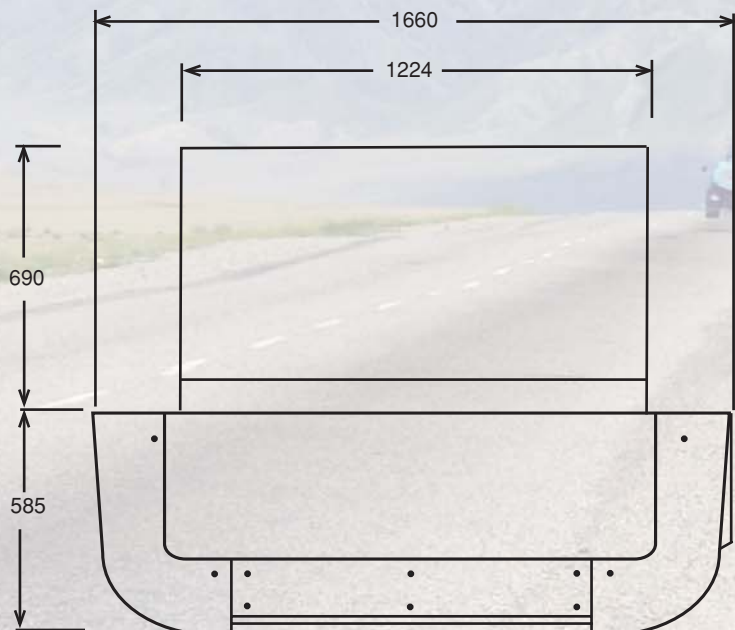
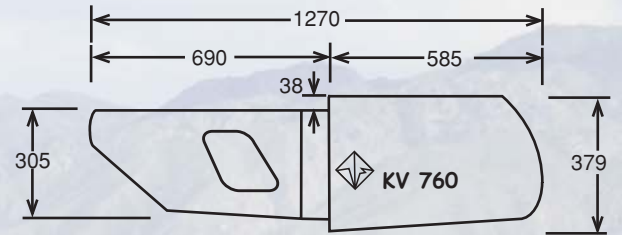
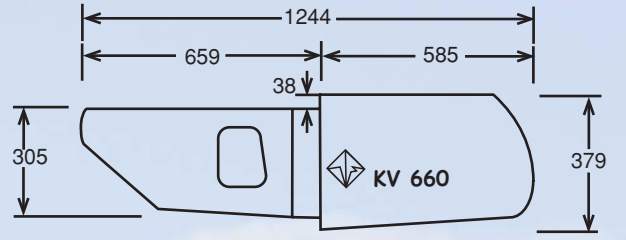
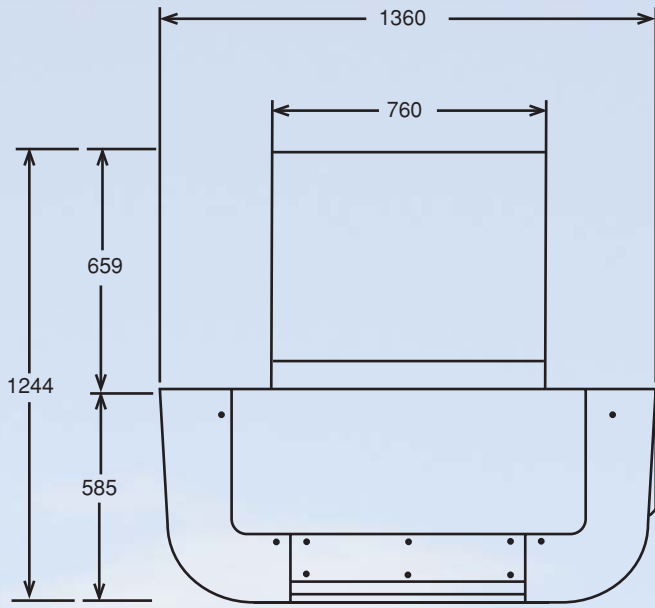


KV 560/660



KV 760/860







TRANSFRIG

◆ **Equipment**

A one piece bulkhead mounted transport refrigeration unit for rigid vehicles.

◆ **Application**

The refrigeration system will refrigerate insulated bodies as tabulated.

| Models | Approximate maximum body lengths @ given box temperatures | | |
|--------|---|-------|-------|
| | 0°C | -18°C | -25°C |
| 560 | 4m | 3,5m | 3m |
| 660 | 4,8m | 4,2m | 3,8m |
| 760 | 6m | 5,4m | 4,5m |
| 860 | 7,2m | 6m | 5m |

Note: In order to ensure the correct application, ambient temperature, body insulation and number of door openings must be taken into consideration. Please consult your Transfrig dealer before final selection.

◆ **General design concept**

Over-road refrigeration is by means of a compressor which is driven directly off the vehicle crank shaft. The electric standby is provided by a reciprocating compressor. Available in 3 phase 380v for all models and 1 phase 220v for the 560 and 660 models only.

The condenser frame is manufactured from epoxy powder stainless steel and the evaporator from stainless steel and aluminium.

◆ **Options**

KV560/660/760/860T – Over road refrigeration only

KV560/660/760/860TE – Over road refrigeration with electric standby

KV560/660/760/860E – Mains electric refrigeration only

Koolvan

560/660

760/860

◆ **Airflow**

A constant airflow is provided by electric evaporator fans.

◆ **Simple operations**

The required temperature is simply set on the thermostat. Initiating refrigeration and changing from over road to electric drive is all controlled from the in-cab control panel.

◆ **Ozone friendly refrigerant**

Zero ODP R404a.

| MT | CAPACITY @ 30°C ambient | | Evaporator discharge velocity m/s | Airflow volume m ³ /hour |
|-----|-------------------------|----------|-----------------------------------|-------------------------------------|
| | -20°C Watt | 0°C Watt | | |
| 560 | 1500 | 2300 | 6,37 | 1472 |
| 660 | 2200 | 3700 | 8,9 | 2058 |
| 760 | 2800 | 4200 | 7,7 | 3031 |
| 860 | 3100 | 4700 | 9,9 | 3910 |

◆ **Weight**

| Units | Weight | Units | Weight |
|-------|--------|-------|--------|
| 560T | 95kg | 560TE | 140kg |
| 660T | 99kg | 660TE | 145kg |
| 760T | 105kg | 760TE | 165kg |
| 660T | 115kg | 860TE | 175kg |

Contact

Transfrig Victoria
548 Clayton RD
Clayton
Victoria 3168
Australia

Tel 03 9551 6997
Fax 03 9551 6998
Mobile 0423 600 644

Email venterdi@bigpond.net.au
Website www.transfrig.co.za

